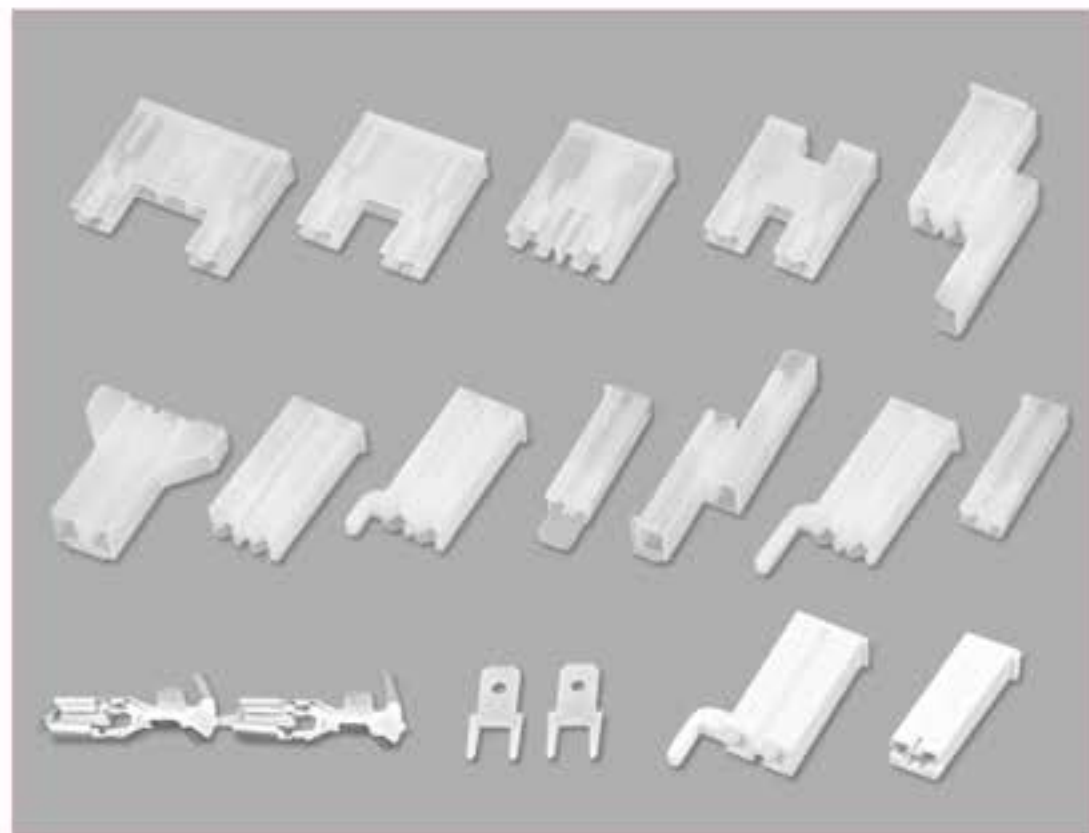


## ■ 技术参数 SPECIFICATIONS

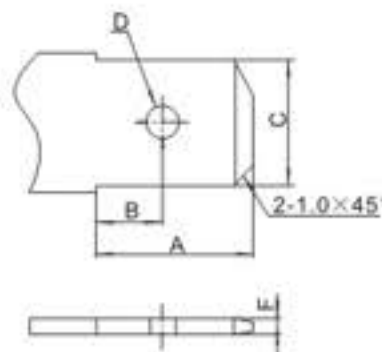
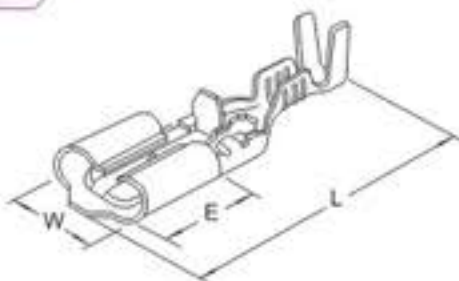
- 适用线规 (Applicable wires) : AWG24#~14#
- 温度范围 (Temperature range) : -25℃~85℃
- 额定电压 (Voltage rating) : 300V.Ac/Dc
- 额定电流 (Current rating) : 15A max
- 接触电阻 (Contact resistance) :  $\leq 0.01\Omega$
- 绝缘电阻 (Insulation resistance) :  $\geq 1000M\Omega$
- 耐压 (Withstand voltage) : 2000V.Ac/1min
- 材料 (Material) :
  - 壳体 (Housing) : 尼龙 (PA66) UL94V-2(0)
  - 端子 (Terminal) : 黄铜 (Brass Tin/plated)
- 端子锁紧力 (Terminal Locking Force) : 8.5kg/min
- 保持力 (Retentive Force) : 5.0kg/min



### 4.8(.187")端子 TERMINAL

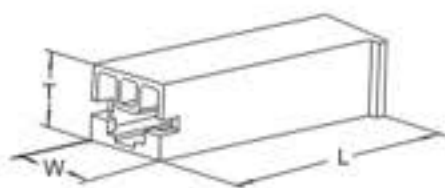
型号 Type	适用线规 Applicable wires		材料 Material	尺寸Dimensions (mm)				数量 Quantity
	mm <sup>2</sup>	AWG#		W	L	E	材料厚度 Thickness	
HX4.8S-01T	730567-3	0.22~0.5	黄铜 Brass	5.6	19.3	5.1	0.3	10000PCS/卷
HX4.8S-21T	730568-3	0.55~1.28		5.6	19.3	5.1	0.3	8000PCS/卷
HX4.8S-41T	730569-3	0.76~2.09		5.6	19.3	5.1	0.3	6000PCS/卷

#### HX4.8S-•T

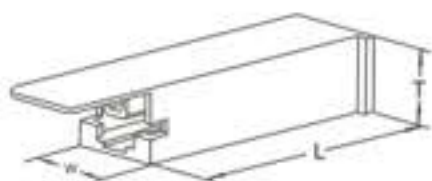


型号 Type	尺寸Dimensions (mm)				
	A	B	C	D	F
.187"	7.0	3.6	4.8	Φ1.5	0.5

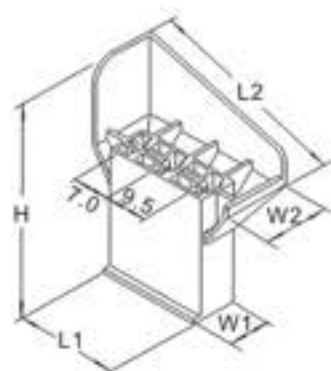
### 4.8(.187")壳体 HOUSING



型号 Type	尺寸Dimensions (mm)			适配端子 Suitable Terminal
	L	T	W	
HX4.8S-1P (630588.187) (35189-0110)	24.8	5.2	7.5	HX4.8S-01T HX4.8S-21T HX4.8S-41T



型号 Type	尺寸Dimensions (mm)			适配端子 Suitable Terminal
	L	T	W	
HX4.8S-1T (631190.187)	24.6	5.4	7.4	HX4.8S-01T HX4.8S-21T HX4.8S-41T



型号 Type	尺寸Dimensions (mm)					适配端子 Suitable Terminal
	L1	L2	W1	W2	H	
HX4.8S-3L (631356.187)	22.2	32.7	9.1	14.1	42.2	HX4.8S-01T HX4.8S-21T HX4.8S-41T